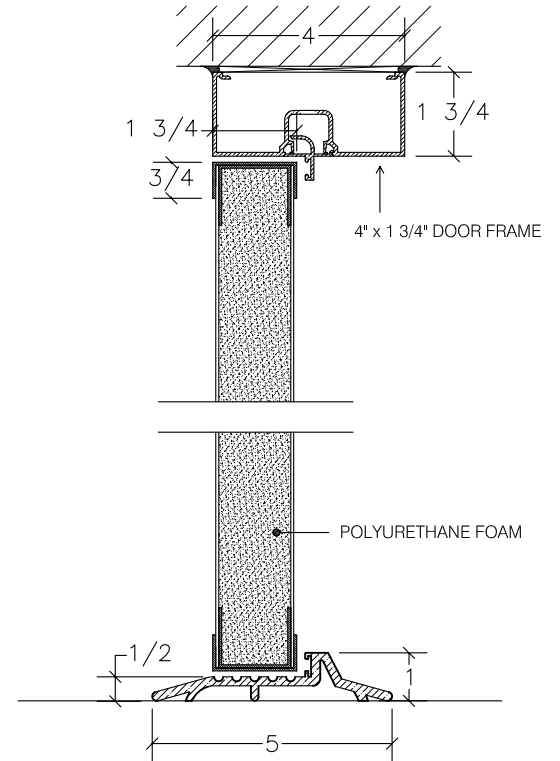
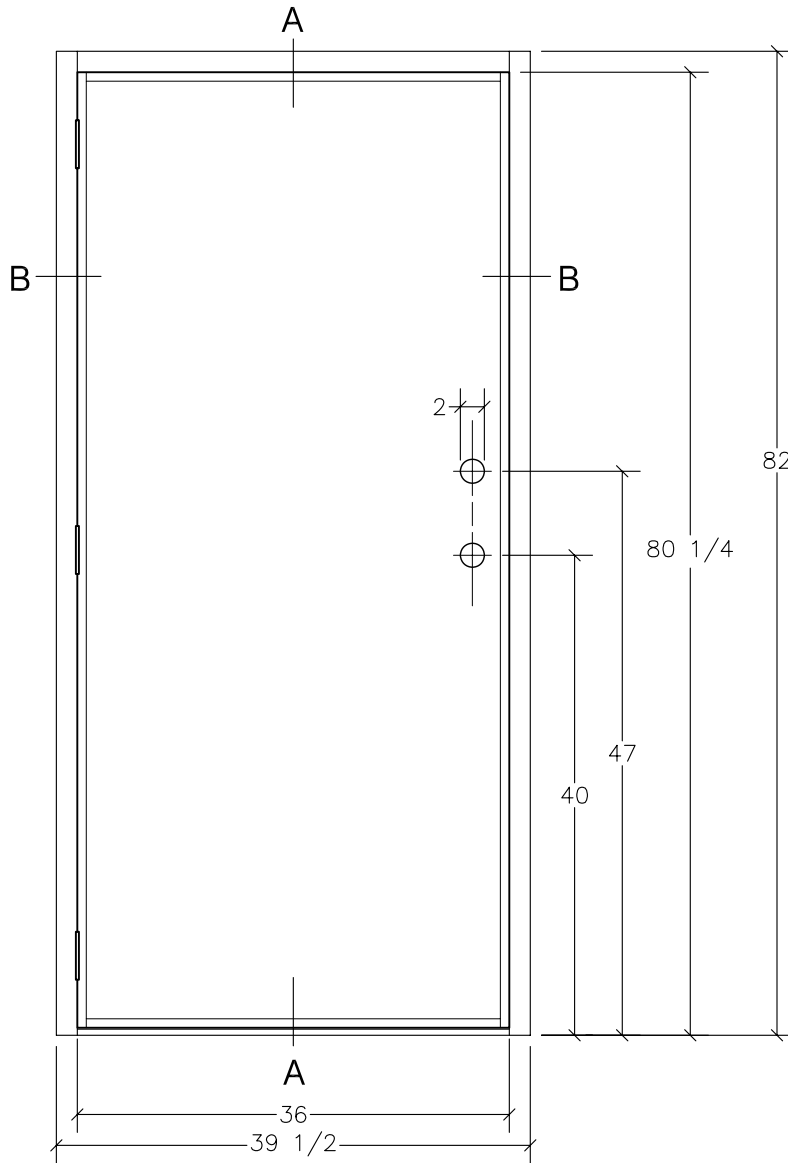


## MAX ALUMINUM HEAVY GAUGE DOORS



SECTION A-A

**FEATURES:**

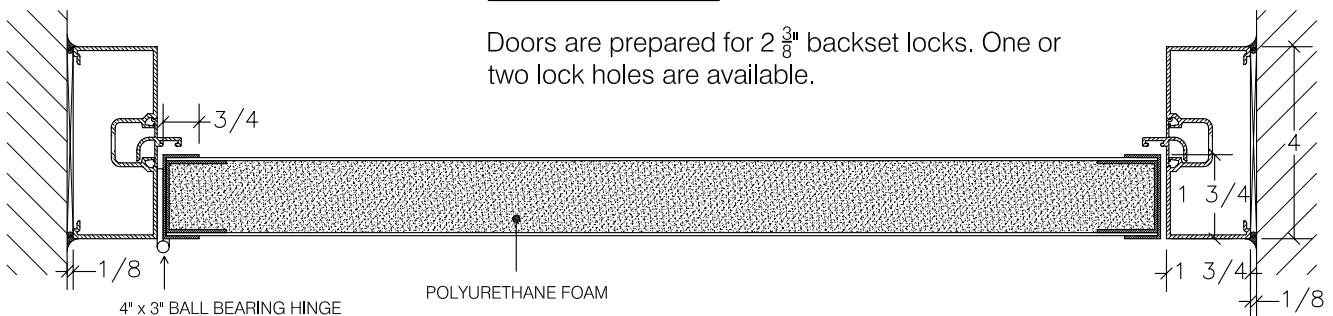
- Will not rust like steel doors
- Supplied pre-hung to 4" x 1 3/4" frames with 3 - 4" x 3" stainless steel ball bearing hinges
- Thresholds available in exterior weather proof design & flush threshold with bevel edges
- Will not warp, swell or stick
- Never rots or cracks from heat or moisture and is virtually maintenance free
- Totally free from harmful effects of termites and other insects.

The Max Heavy Gauge Door is made from 0.062" thick aluminum panel with polyurethane foam filled for additional insulation.

**STANDARD SIZES:** 39 1/2" W x 82" H (Custom sizes available on request)

**STANDARD COLOUR:** White (Special colours available on request)

Doors are prepared for 2 3/8" backset locks. One or two lock holes are available.



SECTION B-B